

## EHT



### Features

- Frost Protection
- High Switching Capacity
- Extra Potential Free Contact
- Condition Indicating LED
- Built in DIN-clip
- Dented 5% Increments

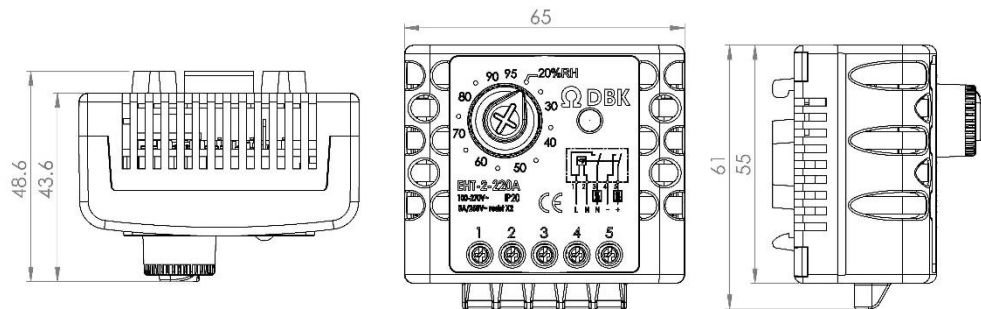
### Options (contact us)

- Screwless Terminal
- Alternative Voltage

DBK's knowledge of thermal management gives us the experience to guide and support you with your technical challenges - we can manage the complete project from concept to full production release.

Electronic Hygostat	EHT-2-220A	
Article Number	1150022	1150023
Setting Range	15... 90% RH	20... 95% RH
Voltage [V]	100-270 AC	
Switching Differential	5% RH	
Contact Type	2 NO	
Max. Switching Capacity (Relay Output)	2 x 8A (240/120VAC resist.)	
Sensing Element	Electronic	
Connector 5-pole	Screw AWG 20 -14 (0.5 - 2.5mm <sup>2</sup> ) with wire protector	
Dimensions (LxWxH) [mm]	49x65x61	
Mounting	Built-In clip for DIN rail EN 60715	
Ingress Protection	IP20	
Operating Temperature Range [°C]	0 to 60	
Storage Temperature Range [°C]	-40 to 70	
Protection Class	0	
Housing	Plastic grey (RAL 7035)	
Weight [g]	80	
Frost Protection	Yes (operates when temperature drops below 4°C)	

### Design Drawing



- Terminal 1: Live
- Terminal 2: Neutral
- Terminal 3: Heating
- Terminal 4: 12VDC (-ve)
- Terminal 5: Cooling (12VDC +ve)

